



**swisscom**

**From** \_\_\_\_\_  
**Date** 30 September 2017  
**Subject** Interface properties of the broadband interface

**Distribution to** \_\_\_\_\_  
**For** \_\_\_\_\_  
**information** \_\_\_\_\_

## Interface properties of the broadband interface

<b>Scope</b>	_____
<b>Doc. ID</b>	_____
<b>Version</b>	1.0
<b>Status</b>	_____
<b>Replaces version</b>	_____
<b>Date of issue</b>	_____
<b>Valid from</b>	_____
<b>Valid until</b>	_____
<b>Document name</b>	2017-09-30_GV18_Schnittstellenspec_BB_V1.0_en
<b>File</b>	_____
<b>Archiving</b>	_____



**swisscom**

**Content**

1	Introduction.....	3
1.1	Object and purpose.....	3
1.2	Scope.....	3
1.3	Target audience and requirements to the reader.....	3
1.4	Terms and abbreviations.....	3
1.5	Reference documents.....	3
2	Location of interface.....	4
3	Interface properties at the network termination point NTP.....	5



**swisscom**

## **1 Introduction**

### **1.1 Object and purpose**

This document describes the properties of the broadband interface at the network termination point. (BSP interface for basic services)

### **1.2 Scope**

The content of this document is valid for the SWISSCOM broadband basic service interface.

### **1.3 Target audience and requirements to the reader**

This document is directed to users/subscribers that use the broadband basic service.

### **1.4 Terms and abbreviations**

BEP	Building Entry Point
BSP	Basic service provision
NTP	Network Termination Point
NTU	Network Termination Unit
TE	Terminal Equipment

### **1.5 Reference documents**

[GV18 Hi]	2017-09-30_GV18_Hausinstallation - Technical and physical requirements for home installation for the provision of public telephone service and internet access via a copper or fiber-optic connection.
[IEEE1]	IEEE 802.3-2005 12.2005, IEEE Standard for Information Technology - Telecommunications and Information Exchange Between Systems - Local and Metropolitan Area Networks - Specific Requirements Part 3: Carrier Sense Multiple Access with Collision Detection (CSMA/CD) Access Method and Physical Layer Specifications.

2 Location of interface

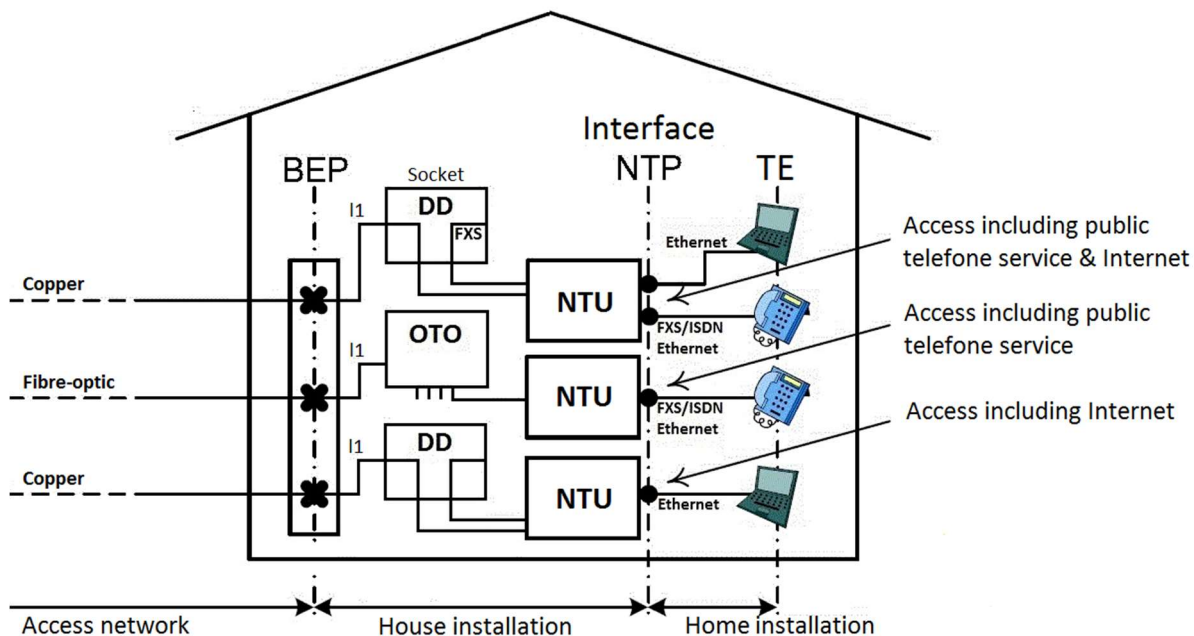


Figure 1: Location of interface

The requirements for house installation are specified in [GV18 Hi]



**swisscom**

### **3 Interface properties at the network termination point NTP**

The interface at the network termination point NTP is a xBase-T Ethernet interface according [IEEE1] and the speed "x" at least 100Mbps or higher. As long as technically available at the NTU, the minimum speed of 100Mbps will be supported.